

PORKKA

HOTEL, RESTAURANT & CATERING
Counters

Spare parts

Display Line Counters



PORKKA

FINLAND
Mukkulankatu 19,
FI-15210 Lahti, Finland
Tel. +358 20 5555 12
www.porkka.fi

NORWAY
Ringeriksveien 16
3414 Lierstranda, Norway
Tel. +47 66 98 77 77
www.porkka.no

SWEDEN
Industrigatan 21,
S-619 33 Trosa, Sweden
Tel. +46 15 63 48 40
www.porkka.se

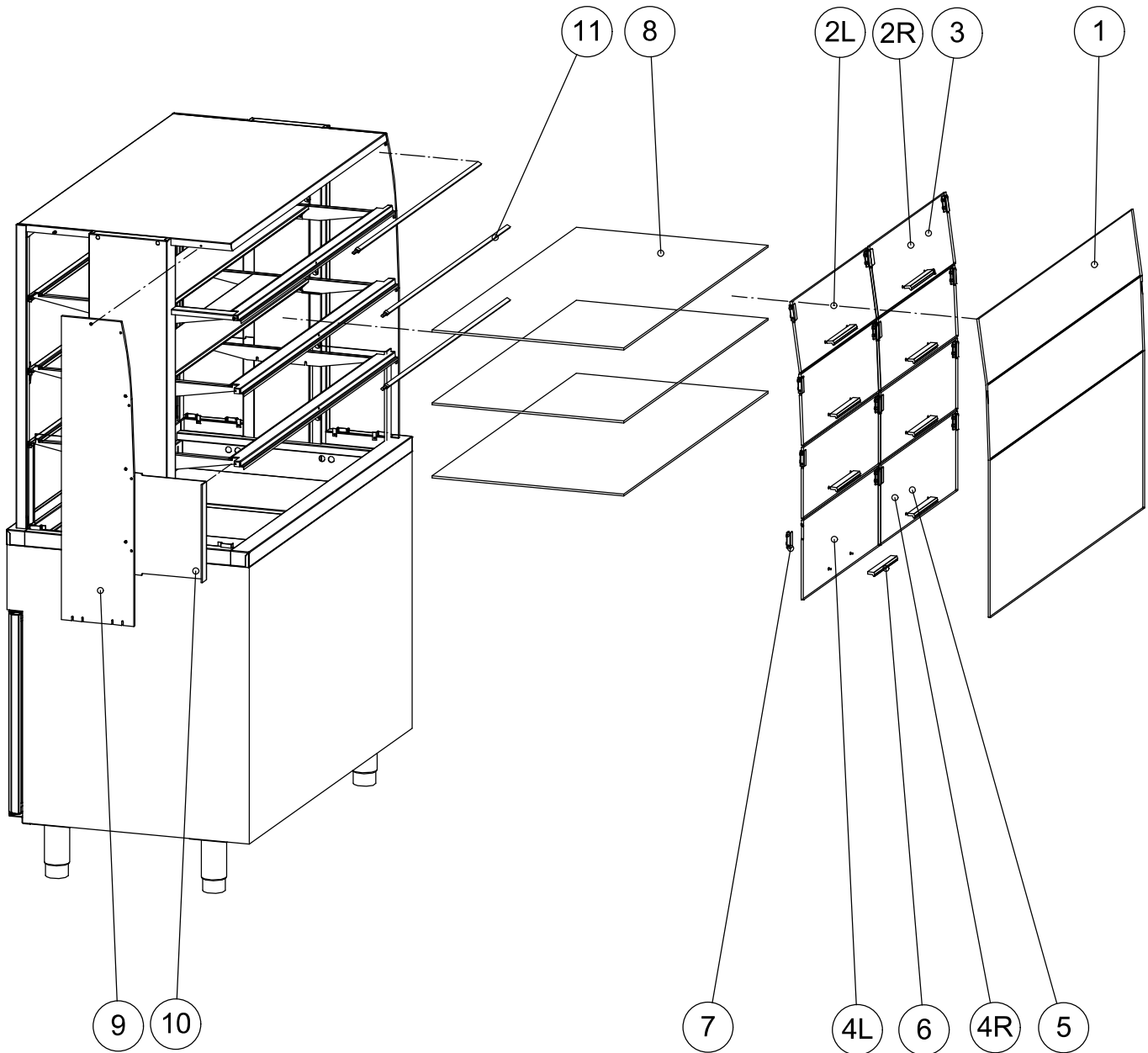
UNITED KINGDOM
29B Greenhill Crescent, Watford
Hertfordshire, WD18 8YB, UK
Tel. +44 1923 233675
www.porkka.co.uk

PORKKA

2- JA 3-HYLLYISET, 2- AND 3-SHELVES

2-PUOLEISET 2- JA 3-HYLLYISET, DOUBLE SIDED 2- AND 3-SHELVES

DL802CL, DL1202CL, DL1602CL, DL803CL, DL1203CL, DL1603CL



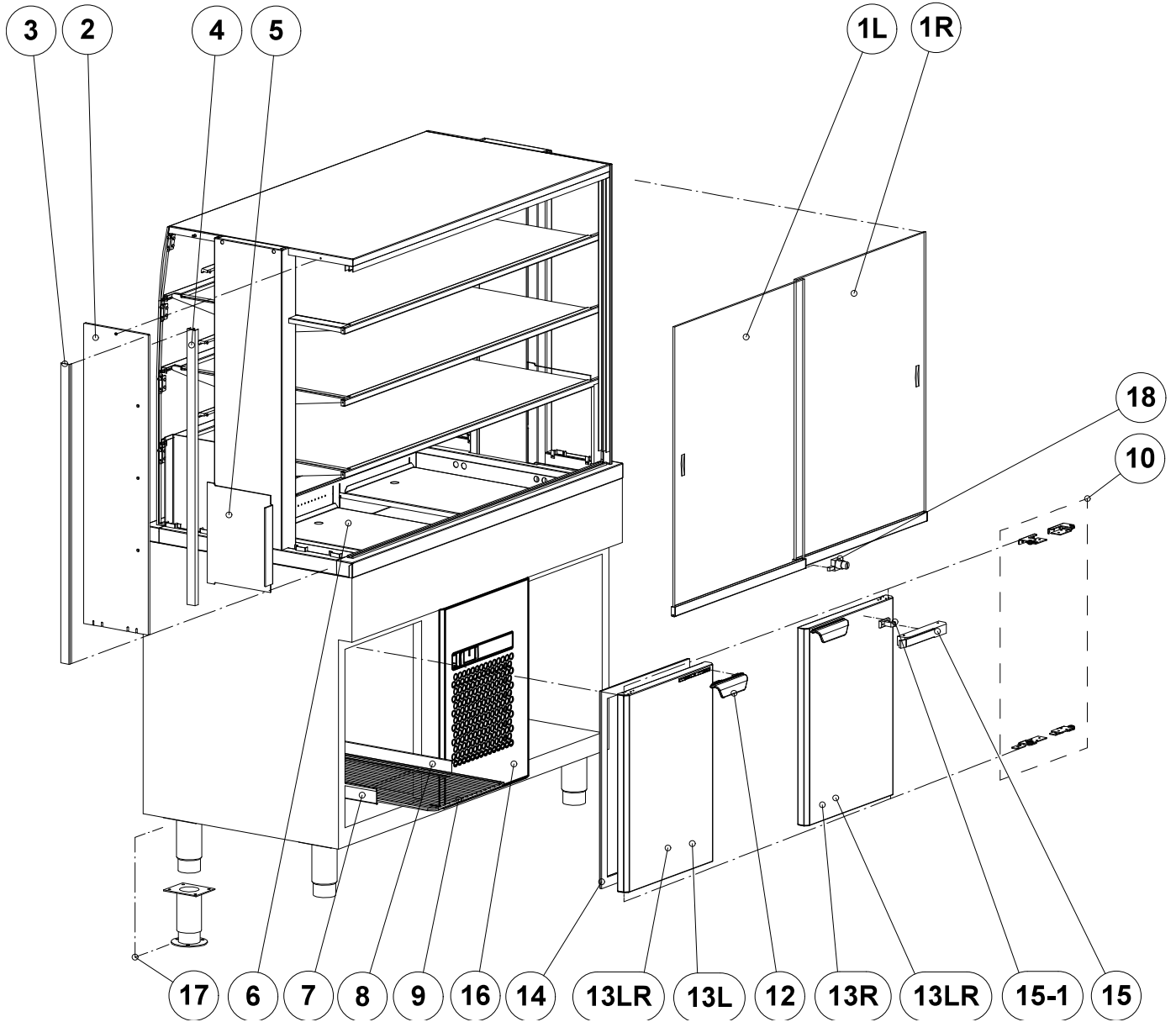
DL3150

PORKKA

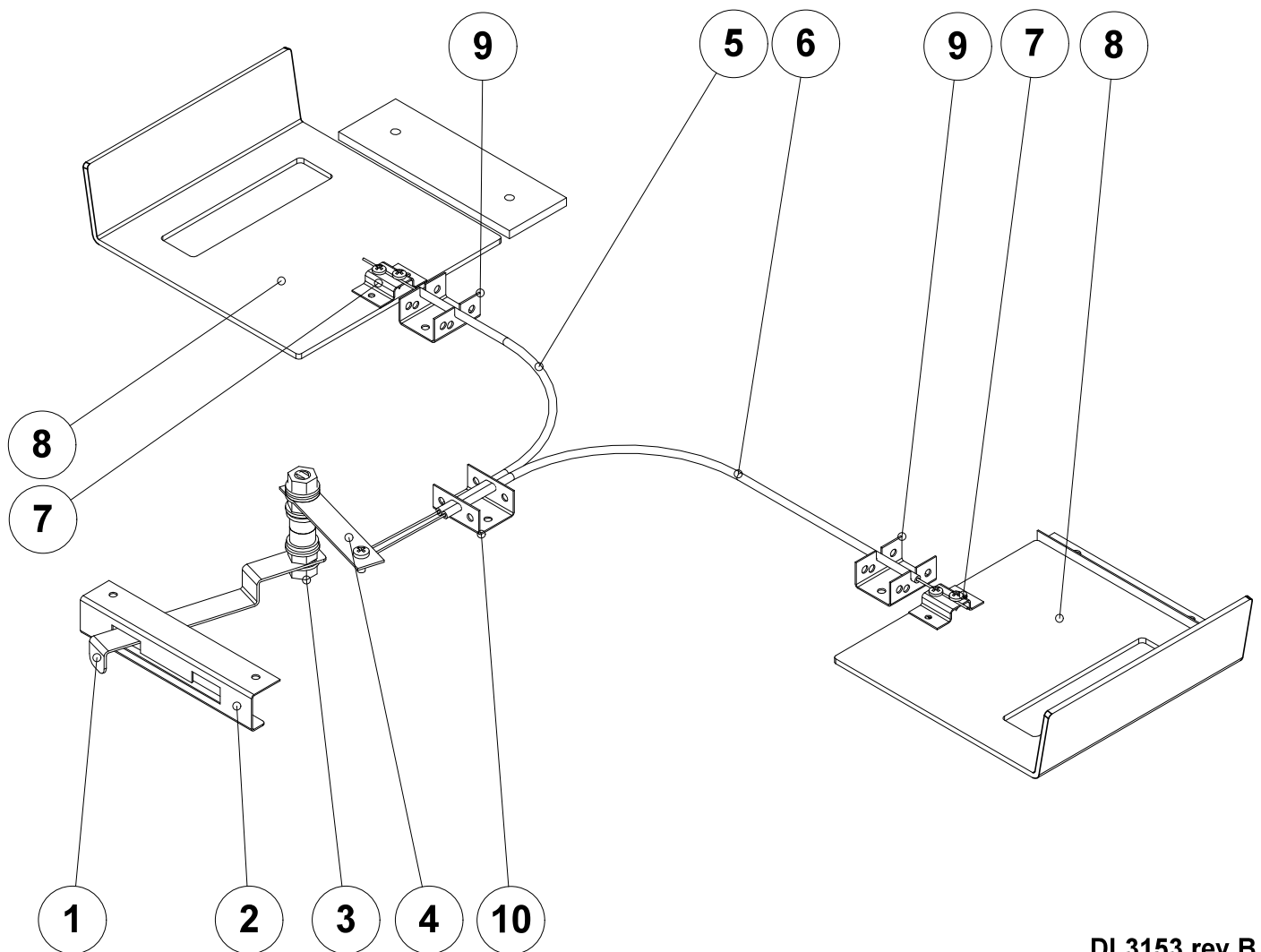
2- JA 3-HYLLYISET, 2- AND 3-SHELVES

2-PUOLEISET 2- JA 3-HYLLYISET, DOUBLE SIDED 2- AND 3-SHELVES

DL802CL, DL1202CL, DL1602CL, DL803CL, DL1203CL, DL1603CL



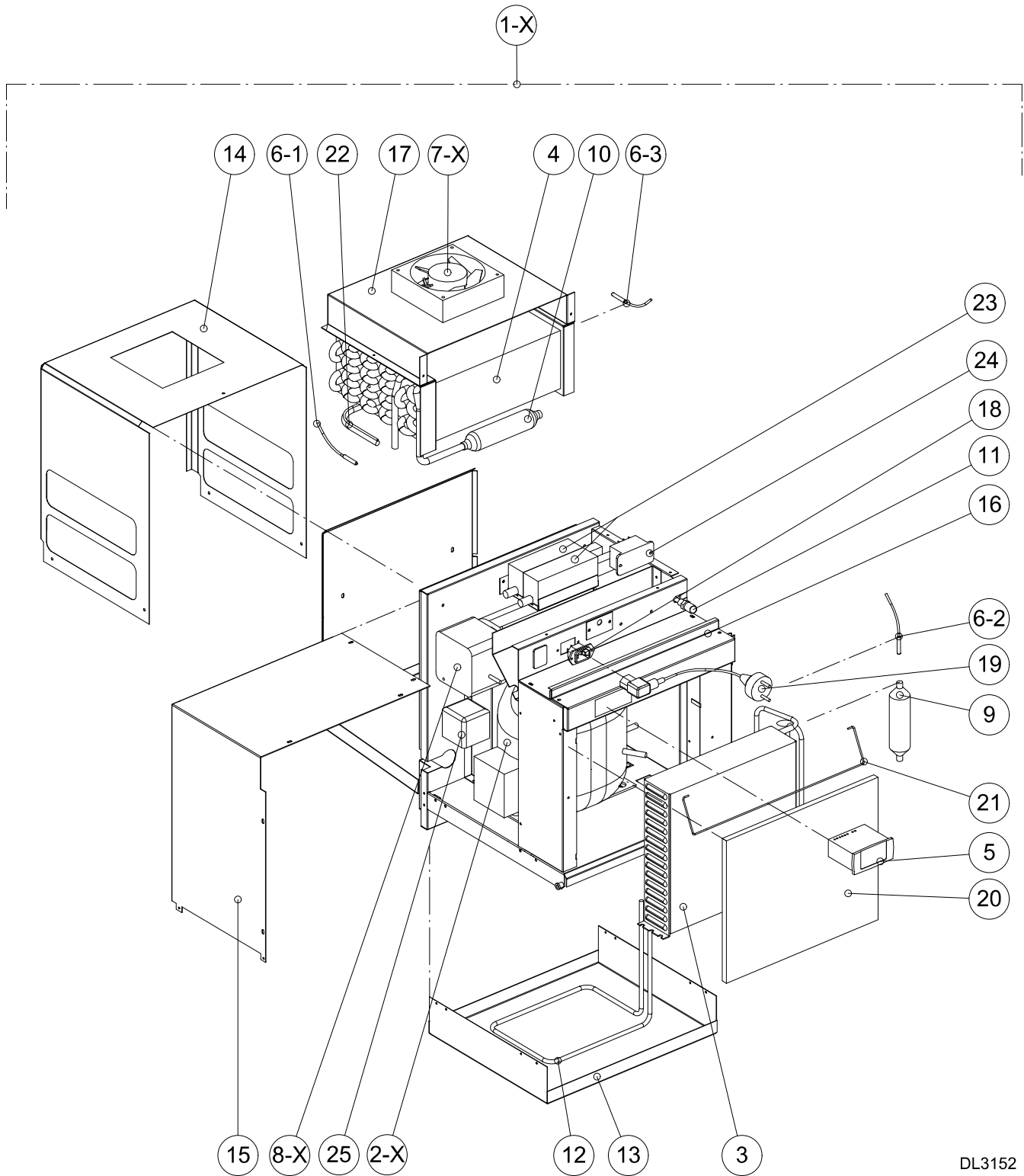
ON/OFF SULKUMEKANISMI, ON/OFF SWITCH MECHANISM DL802CL, DL1202CL, DL1602CL, DL803CL, DL1203CL, DL1603CL



DL3153 rev.B



DLCSE KONEKASSETTI, COOLING UNIT



DL3152

Porkka is an internationally recognized designer and manufacturer of professional refrigeration solutions. Key target industries include HoReCa, Medical and Research and Marine. Porkka's products are well known on its long life cycle, high quality and technical advantage.

Porkka is a brand of the Huurre Group. Porkka brand is well known for its quality and reliability throughout the world. The success of Porkka is based on decades of experience, customer focused design and continuous product development. The materials used in Porkka products are as recyclable and eco-friendly as possible. The recyclability of our product is more than 95%.



Porkka solutions are designed and manufactured according to a quality standard ISO 9001, controlled and certified by Lloyd's Register Quality Assurance. Porkka also hold the environmental certificate ISO 14001, issued also by LRQA. Huurre Group reserves the right to make any changes without prior notice.